



With intuitive operation, Latitude (LBX) compact bench scales provide excellent performance for quick, basic weighing, checkweighing, and counting needs. Latitude (LBX) scales feature amber, green and red LEDs to indicate if a sample is under, within, or over the preset limits. Latitude (LBX) is ideal for catering, office, production, warehouse or field use, as it is powered by the included AC adapter or internal rechargeable battery. A fully charged battery operates for an impressive 240 hours, so you don't have to worry about losing power. For added flexibility and convenience, you can also operate the Latitude (LBX) using any USB power source.

Light weight and portable for multipurpose use



Features

- Vivid, backlit LCD easily visible in any lighting conditions
- Checkweighing LEDs clearly show under, over and acceptable limits
- Overload protection helps prevent damage to internal components
- Rugged construction stands up to industrial use
- Sealed keypad protects against dirt and spills
- Simple key operation allows for easy set up and operation
- Large, grade 304 stainless steel pan allows easy cleaning
- Adjustable levelling feet help optimise setup
- External calibration allows for verification and adjustment with weights
- Checkweighing with audible alarm
- Hold function freezes the displayed weight, allowing time to elapse without losing the result
- Parts counting with preset sample sizes
- Rechargeable battery included for operation almost anywhere
- Programmable auto power-off to save energy
- Battery level is clearly displayed to show the user when the scale needs to be recharged
- Operates with a low voltage USB input providing flexibility for powering the device

Applications

- Weighing
- Parts counting
- Percentage weighing
- Checkweighing
- Display hold

About ADAM:

For more than 45 years, professionals worldwide have relied on Adam Equipment for an extensive selection of dependable and affordable weighing equipment. Adam provides the right balance of speed, performance and value.

Product Details

Model	LBX 3	LBX 6	LBX 12	LBX 30
Capacity	3kg	6kg	12kg	30kg
Readability	0.5g	1g	2g	5g
Repeatability (S.D.)	0.5g	1g	2g	5g
Linearity (+/-)	1g	2g	4g	10g
Pan Size	245x180mm			
Weighing Units	g, kg, lb, lb:oz, oz			
Stabilisation Time (sec)	1			
Calibration	External calibration			
Display	Backlit LCD with 24mm -high digits			
Power Supply	5VDC 1A adapter / Internal rechargeable battery			
Battery Life (Hours)	240			
Operating Temperature	0° to 40°C			
Housing	ABS plastic			
Overall Dim.	255x290x105mm (wxdxh)			
Net Weight	2.5kg			

Accessories

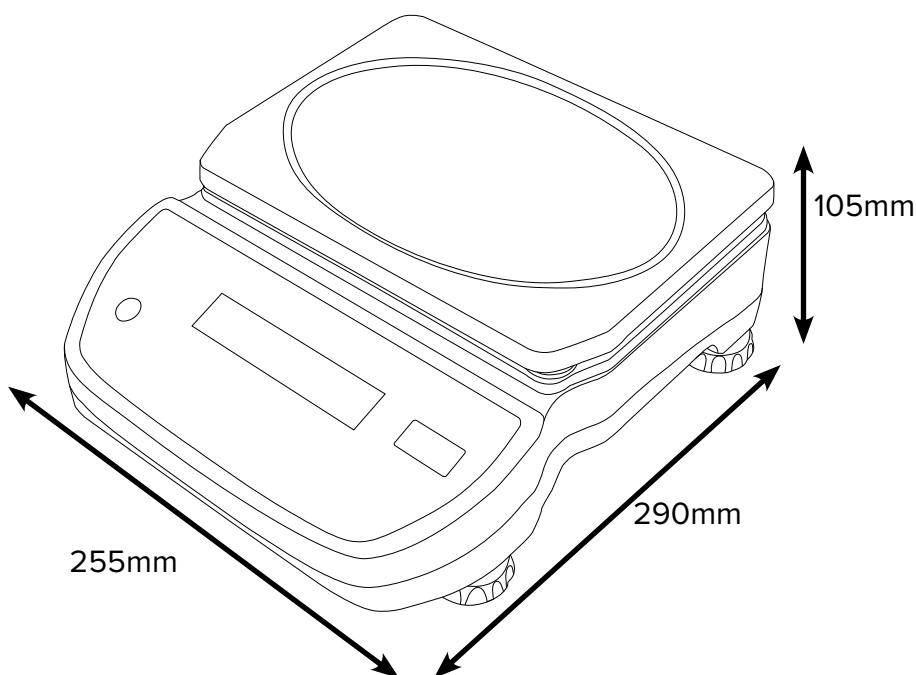
Item number	Description
3022014061	In-use cover
2020014062	In-use cover (pack of 5)
2020014063	In-use cover (pack of 10)
303149759	Vegetable Scoop (complete with fitting to scale)
303149760	Confectionery Scoop (complete with fitting to scale)
303149761	Fish Scoop (complete with fitting to scale)
700660290	Calibration certificate

Key Accessories



Scoops

Metal scoops are designed to make portioning and food measurement easy. Three sizes available, small, medium and large.



Supplied by