

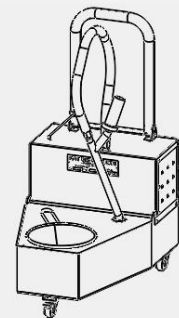
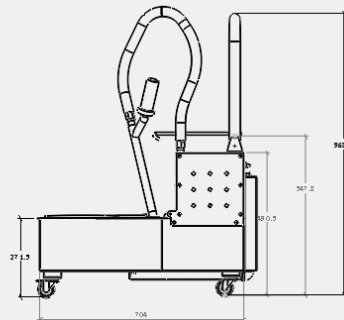
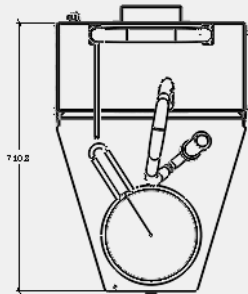


**AUSTRALIA'S BUSIEST KITCHENS  
RELY ON COOKON.**

## **COOKON KAYBEE KBS-4SB** 50L HEAVY USE BATTERY OIL FILTER



The largest oil filter in the Kaybee range offering the ability to filter all brands of deep fryers on the market, with the convenience of mobility and no leads on your kitchen floor. It is recommended that your Kaybee oil filter has an oil capacity of at least 10 litres greater than the oil capacity of the fryer you are filtering. No manual handling of hot oil saves labour, cuts fryer vat cleaning to a matter of minutes. Filtering becomes fast, efficient, clean and most importantly safe. Filtering prolongs the life of your oil by at least 50%, effectively halving your oil costs via our two stage filtering process.



### **STANDARD FEATURURES**

Stainless Steel  
42kg

Filter Papers:  
Approved Food Grade  
Material  
Conical 28cm  
Round 41cm

Swivel Casters: 3

### **SPECIFICATIONS**

#### **Battery Operated**

#### **Motor:**

Volts 24DC  
Output 100W  
R.P.M 1500 rmp  
AMPS 5.2

#### **Pump:**

Rotary Gear Pump  
Pump R.P.M = 1725  
Max Temp = 190°C

#### **Battery:**

Century – 12V x 2

#### **DIMENSIONS**

500mm (W)  
750mm (L)  
600mm (H) with handle  
down  
870mm (H) with the  
handle up, can be  
customised on order.

### **CLEANING CAPACITY**

Roller Pump Capacity  
16 litres per minute  
Max Speed 1475 rpm  
Max Temp 205 °C

#### **CAPACITY**

50 Litres

**< CONFIDENCE IN QUALITY >  
3 YEAR WARRANTY**

All our products carry a 3 year warranty and will last a very long time if our care and instructions are followed.  
© Cookon is a member of the Langford Metal Industries Group, Queensland company established 1955.

