

COUNTERTOP SINGLE BURNER (HOB) COOKTOP

with Standard Controls



MC2500 & MC3500

600704

600904

PROJECT

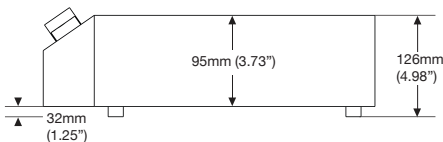
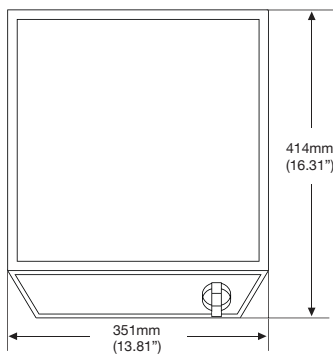
ITEM

QUANTITY

DATE

TECHNICAL DATA:

Dimensions (W x D x H):	351 x 414 x 126	
Feet Height:	32mm	
Total Weight:	8.6Kg	
Wall Clearance:	51mm	
Max Ambient Temperature:	50°C	
Model:	MC2500	MC3500
Total Connected Load:	2.4kW	3.5kW
Volts (Single Phase):	220-240 V	220-240 V
Amps	10A	15A



The CookTek® Countertop Single Burner (Hob) Cooktop with Standard Controls is a portable countertop design with stainless steel housing and a glass-ceramic cooktop intended for use in commercial kitchens and restaurants. An automatic shut-off feature, integral cooling fan, and self-diagnosing microprocessor allow for a safe kitchen environment. Each unit is equipped with 22 temperature settings and 20 power cook settings to ensure maximum and efficient heating of any induction-compatible pan.*

FEATURES:

- Portable design with stainless steel housing
- High-quality internal electronics and heavy gauge Litz wire
- Easy-to-clean high-temperature glass-ceramic top
- Automatic pan detection allows for instant energy transmission to pan
- Programmed with 22 temperature settings and 20 power cook settings
- LED display panel
- Temperature range from 29°C-260°C
- Automatic shut-off feature prohibits overheating
- Integral grease filter and air baffle ensure air intake is cleaner and cooler
- Microprocessor monitors vital components to check for overheating, power supply issues, and more
- Integral fan keeps internal components cool
- Available in 10A & 15A

*Induction cooking requires the use of induction-compatible (i.e. magnetic) cookware.

CERTIFICATIONS



Due to continuous product research and development, the information contained herein is subject to change without notice.

Revision: January 14, 2020 1:02 PM

www.stoddart.com.au

www.stoddart.co.nz