

Model: U 400

Commercial Under Bench Glass Washer



Product Advantages



Mike-1

Fully electronic control with integrated infrared technology



Delicate Wash Protection

Soft-start feature starts the wash pump slowly and gradually builds water pressure, protecting glassware from shifting or breaking



Optimal Wash Performance

Powerful upper and lower wash and rinse arms

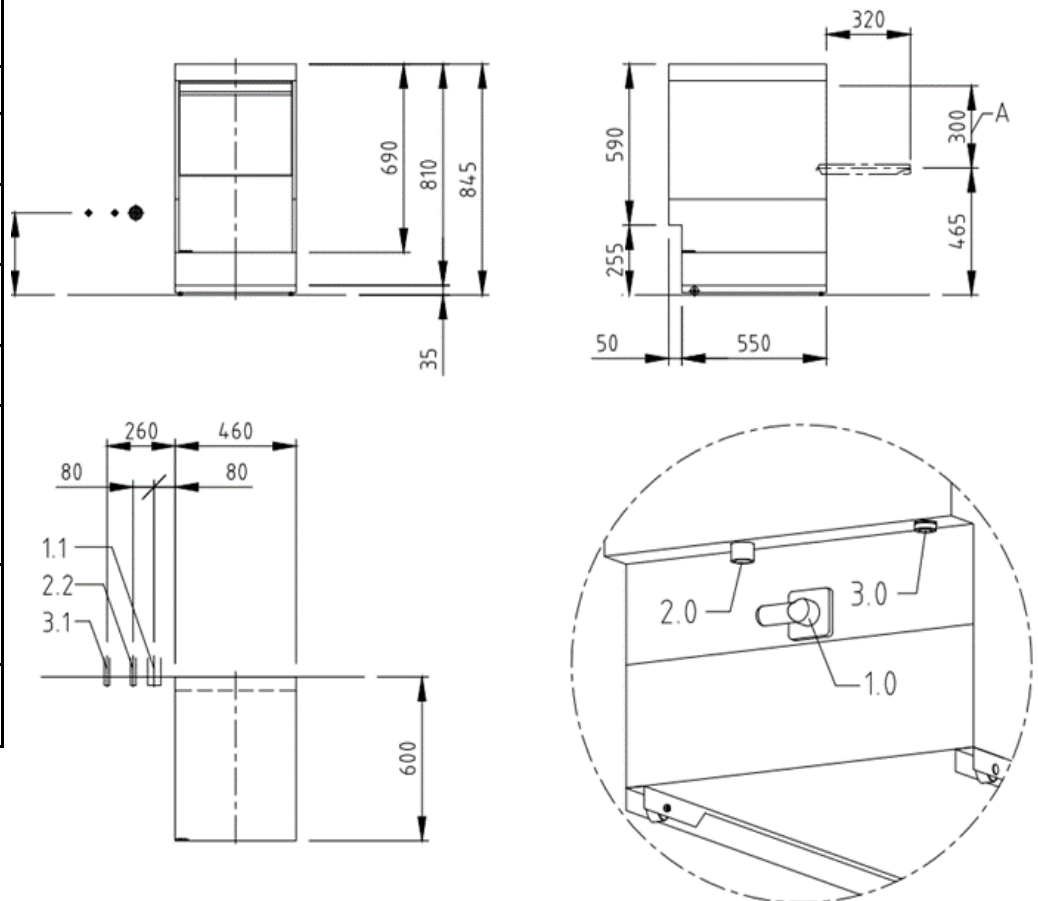
Original Eco Filter System

Provides exceptional cleaning results thanks to wash water filtration with dirt removal capabilities and optimal tank water regeneration

Technical Data

Drawing Dimensions

Water consumption L/ basket		2.2
Basket dimensions in mm		400 x 400
* Program Cycles in seconds		120/180/240
1.0	Drain hose connection Pump out drain	Hose 3/4"
1.1	Drain max. 700mm above floor level	DN 50
2.0	Water connection point	DN 20
2.1	Water supply	Hot water Max 60°C 53.4 ppm water hardness 250-500Kpa flow pressure
3.0	Power connection point	2.5M power lead with 15A Plug top fitted
3.1	Power Supply	1NPE 230V 50Hz, 2.7Kw 15A



*For connection to cold water and/or short basket exchange times, the wash cycles may increase to achieve hygienic final rinse temperatures.

Optional Features: Stainless steel
Cupboard—ideal for chemical storage

Ready to Install

Supplied with fill and drain hoses. Electrical cable, detergent and rinse aid and supply lines (Watermark Approved)

Heat Is Retained In The Machine

Double wall construction, saves energy and reduces operating costs

✓ Perfect Results Every Time

Equipped with rinse and drain pumps as standard features

✓ Easy To Clean

Self-clean cycle for easy, hygienic cleaning of the wash chamber

✓ Ideal For Tall Dishware

300mm entry height