

# ZOE COMPACT



## Features



### ELECTRONIC AUTO-LEVEL

Through an electronic level probe, the boiler is automatically filled and maintained to the right filling level.



### AUTOMATIC CLEANING CYCLE

Process for coffee groups cleaning.



### ACTIVATED ELECTRONIC PREINFUSION

Management of the delayed activation of water solenoid in the first phase of brewing.



### EASY SERVICE

Fast access to the internal parts, for quick and easy technical service.



### DOUBLE READING GAUGE

Allows you to control the boiler pressure and the distribution pressure at the same time.

## Compact version

### 2 GROUP

2 steam taps

1 water tap

1 one-cup portafilter

2 two-cup portafilters

## Technical data

### 2 GROUP

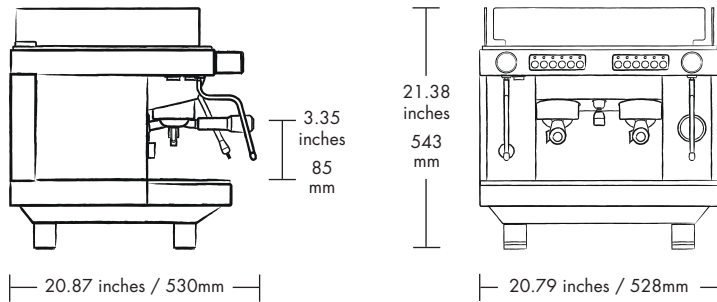
voltage	V	220-240 1N, 50/60Hz
required amperage	A	15
power input	kW	2.7
steam boiler capacity	lt	7
steam boiler element	kW	2.4
pump power	kW	0.13
net weight	kg	45



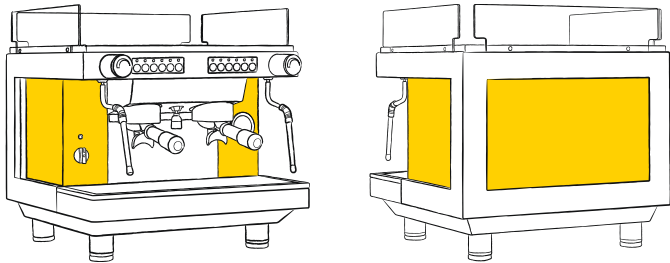
# ZOE COMPACT



## Standard height only



## Easily Customisable Panels



Easily removable panels for easy customisation.

## Colours



All images are subject to illustrative purpose. The manufacturer reserves the right to modify without prior notice the technical characteristics indicated in this document.

## CONTACT US

[info@sanremomachines.com.au](mailto:info@sanremomachines.com.au)  
[sanremomachines.com.au](http://sanremomachines.com.au)

