

# TCE1000N

SKOPE Two Door Upright Fridge



TCE1000N  
SKOPE Two Door Upright Fridge  
User Manual

MAN80256  
Rev. 1.11 May 2020

© 2020 SKOPE Industries Limited. All rights reserved.

SKOPE Industries Limited reserve the right to alter specifications without notice.

**SKOPE**® is a registered trademark of SKOPE Industries Limited.

SKOPE INDUSTRIES LIMITED  
Head Office  
PO Box 1091, Christchurch  
New Zealand  
Freephone: 0800 947 5673  
E-mail: [skope@skope.com](mailto:skope@skope.com)  
Website: [www.skope.com](http://www.skope.com)

### **Trademark Infringement**

The SKOPE trademark on this product is infringed if the owner, for the time being, does any of the following:

- Applies the trade mark to the product after their state, condition, get-up or packaging has been altered in any manner
- Alters, removes (including part removal) or obliterates (including part obliteration) the trade mark on the product
- Applies any other trade mark to the product
- Adds to the product any written material that is likely to damage the reputation of the trade mark

Notice of the above contractual obligations passes to:

- Successors or assignees of the buyer
- Future owners of the product

# CONTENTS

---

## 1 Installation

Safety First .....	4
Positioning the Cabinet .....	5
Fridge Location .....	5
Power Cord .....	5
Ventilation .....	5
Shelves .....	6
Shelf Clips .....	6
Repositioning Shelves .....	6

## 2 Operation

Automatic Start-Up .....	7
Lighting .....	7
Loading Product .....	8
Electronic Controller .....	9
Introduction .....	9
Temperature Setpoint .....	9
Messages and Alarms .....	9

## 3 Servicing

Cleaning .....	10
Cabinet .....	10
Condenser Coil .....	10
Lighting .....	11
Troubleshooting .....	11

# 1 Installation

**Safety First** Always observe safety precautions when using any electrical appliance. Read these instructions carefully and retain them for future reference.

**WARNING**

- Ensure the appliance is disconnected from the power supply before performing any cleaning or maintenance.
- Do not cover the grilles or block the entry or exhaust of airflow by placing objects up against the refrigeration unit.
- Should manual defrosting be necessary, turn off the refrigeration system and allow the ice to melt by air circulation. Do not use mechanical methods to remove ice, as this may damage the refrigeration circuit.
- Do not use any electrical devices or appliances inside the food storage compartment.

- ▣ Do **not** use this appliance for other than its intended use.
- ▣ Do **not** probe any opening.
- ▣ Only use this appliance with the voltage specified on the cabinet rating label.
- ▣ Ensure the appliance has adequate ventilation as this is essential to economical, high performance.
- ▣ Be careful not to touch internal moving parts and hot surfaces.
- ▣ For your own safety and that of others, ensure that all electrical work is done by authorised personnel.
- ▣ If the power supply flexible cord becomes damaged, it must be replaced by an authorised service agent or similarly qualified person in order to avoid a hazard.
- ▣ Ensure all necessary safety precautions are observed during installation or removal of the refrigeration unit.
- ▣ The appliance is not designed to be stable while in motion. Use extreme caution when moving or transporting it.
- ▣ Do not store explosive substances such as aerosol cans with a flammable propellant in this appliance.
- ▣ Do not exceed a maximum load of 20kg per shelf.
- ▣ If the cabinet is to be scrapped, ensure the cabinet is unplugged from the power supply and cut off the mains flex close to the back of the cabinet. Be mindful of the risk of animals or children becoming trapped in the appliance - either remove or secure doors if necessary.

This cabinet is designed to operate within a specific climatic class environment. See the cabinet rating label inside the cabinet for climate class number.

Climate class	Ambient temperature	Relative humidity
3	25°C	60%
4	30°C	55%
5	40°C	40%
7 (tropical)	35°C	75%



The cabinet includes relevant hazard symbols that may be associated with the cooler. Refer to the information below for symbol description.

**WARNING**

The refrigeration system contains flammable R290 refrigerant. Do not tamper with it. The refrigeration system must only be serviced by qualified personnel.

## Positioning the Cabinet

---

---

**Fridge Location** The location of the fridge may be the single most important decision that will extend its life and ensure economical, high performance. Allow space for the doors to open and close properly. Self-closing doors have internal torsion bars pretensioned at the factory. Ensure the cabinet is on a level surface so that the door shuts and correctly seals, and that the doors are unobstructed. Level footing also prevents the condensate tray from overflowing.

The fridge is designed to keep an internal temperature range of 0°C to 5°C in environments up to 35°C. Operation in environments above 35°C will result in excessive product temperatures and energy consumption, and will void warranty cover.

The fridge has been tested for electrical safety to climate class 5 (40°C @40% relative humidity).

**Power Cord** The power cord exits from the top rear of the cabinet and is fitted with a 3-pin plug. Pull the power cord around so that it's not trapped before you position the cabinet.

**Ventilation** A minimum 300mm ventilation clearance must be provided above the fridge. Never store cardboard cartons or other items on top of the refrigeration unit.

### **IMPORTANT**

Ensure minimum ventilation clearances are met.

## Shelves

---

---

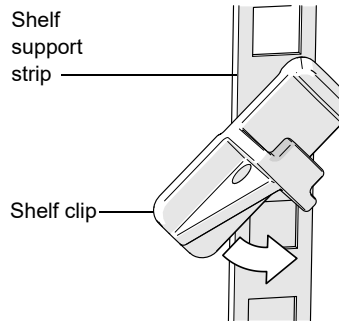
The fridge is fitted with four layers of wire shelves which may be positioned at different heights to suit various products.

**Shelf Clips** Each wire shelf is held in place with six shelf clips, which engage in the shelf support strips.

### To fit a shelf clip

---

1. The shelf clip twists onto the shelf support strip. Locate the square pin on the back of the clip into the support strip, and twist the clip so that it sits level and locks in place.



---

---

**Repositioning Shelves** When repositioning standard shelves, unload and remove the shelf, establish the desired position and slide the shelf clip in each of the shelf support strips to the desired position. Sit the shelves on the shelf clips.

## 2 Operation

### Automatic Start-Up

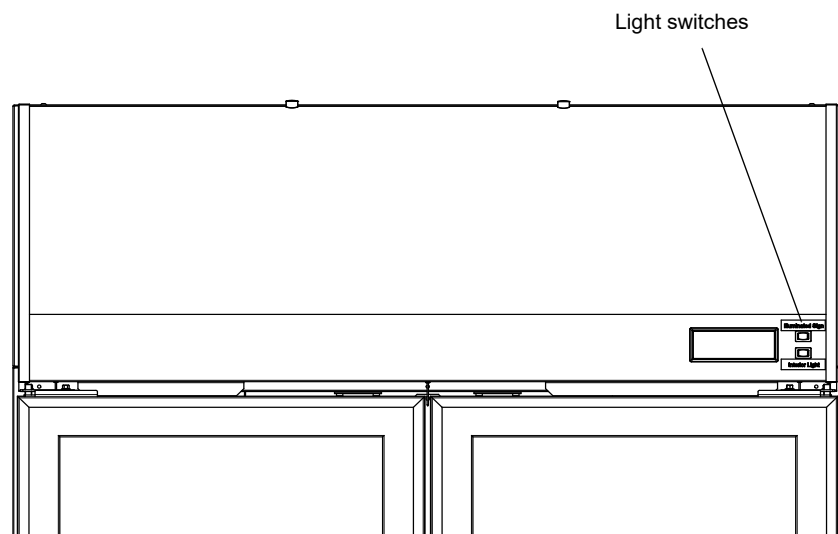
After the cabinet has been positioned in a suitable place, plug it in and check the following activity.

Item	Activity
Electronic Controller	An electronic controller runs the fridge and is visible in a cutout below the sign. The display panel on the electronic controller shows the cabinet internal temperature.
Lighting	The lights that illuminate the sign and cabinet interior will come on a few seconds after the fridge is turned on. If the lights do not come on, check the light switches on the sign front panel and switch them on (see "Lighting" below).
Refrigeration System	The refrigeration system will start a few seconds after the fridge is turned on. To verify, listen for the compressor and check that the refrigeration system light is lit on the electronic controller. Note: If the cabinet is powered on and off repeatedly, the compressor may enter protection mode and stay off for 5 minutes.

### Lighting

The cabinet interior and sign are lit by LED lights. The lights can be switched on and off using the light switches on the sign front panel.

The cabinet and sign LED lights are all non-serviceable and must not be tampered with in any way. If a light is suspected of being faulty, arrange a service call.



## Loading Product

---

---

Let the fridge run 30 minutes before loading it with product the first time.  
When loading the shelves with product:

- ▣ Allow adequate air space around each item to ensure even cooling and efficient operation of the fridge.
- ▣ Do not exceed a maximum load of 20kg per shelf.
- ▣ Remove some product if the shelves are flexing.
- ▣ Do not let anything overhang the shelves as this may stop the doors from shutting or break the door glass.



## Electronic Controller

**Introduction** The fridge is fitted with an electronic controller which is visible through a cutout below the sign. The electronic controller is pre-programmed and requires no initial setup or additional programming. SKOPE does not recommend that the settings be changed unless it is absolutely necessary.

**Temperature Setpoint** The fridge temperature is set to stay between 1.5°C and 3.5°C. The setpoint can be adjusted to other temperature ranges for specialist applications if required (see below).

SKOPE do not recommend that the setpoint range be changed unless it is absolutely necessary, and then only by small increments at a time.

### To change the temperature setpoint range





1. Refer to the table below to determine the required temperature range.

Set	Temperature range	Set	Temperature range
0	0.0°C to 1.5°C	5	3.5°C to 5.5°C
1	0.5°C to 2.5°C	6	4.0°C to 6.0°C
2	1.5°C to 3.5°C	7	5.0°C to 7.0°C
3	2.5°C to 4.5°C	8	6.0°C to 8.0°C
4	3.0°C to 5.0°C	-	-

2. Press and hold the up and down buttons on the electronic controller for 3 seconds to unlock the controller.
3. Use the up and down buttons to scroll to the set number assigned to the required temperature range, as shown in the table above.
4. Once the desired set is displayed, leave the controller for 5 seconds. The display changes back to the cabinet internal temperature and the new set is saved.

**Messages and Alarms** The following table explains messages and alarms that the electronic controller displays.

### Messages and alarms

Display	Description
	The cabinet internal temperature. The temperature is what the sensor inside the fridge detects, and not necessarily the product temperature. However, they may be very close depending on how the controller is set to sense temperature.
	Electronic controller lock indicator. On when the electronic controller is locked. Off when the electronic controller is unlocked. Press and hold the up and down buttons for 3 seconds to unlock the electronic controller.
	Compressor indicator. On when the compressor starts. Off when the compressor stops.
	Temperature sensor fault. This indicates a fault with the temperature sensor. Arrange a service call.

## 3 Servicing

### Cleaning

**Cabinet** Wipe the inside and outside of the cabinet with a damp cloth, taking care to keep moisture away from electrical parts. As with any maintenance, ensure the fridge is unplugged from the power supply before cleaning.

**Condenser Coil** To ensure trouble-free performance, the condenser coil must be kept clean. We strongly urge monthly cleaning with a soft brush to remove dust and fluff. A more thorough cleaning is required by qualified service personnel every six months. The condenser coil **must** be kept clean for efficient and reliable operation.

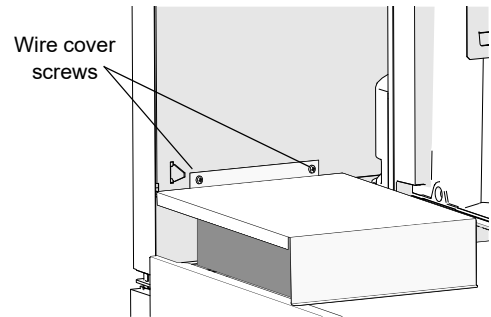
#### WARNING

Unplug the fridge from the power supply before cleaning the condenser coil.

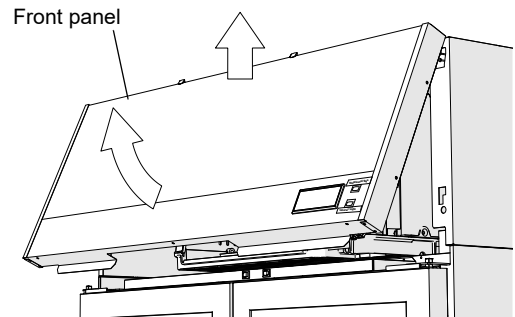
#### To clean the condenser coil

1. Unplug the fridge from the power supply.

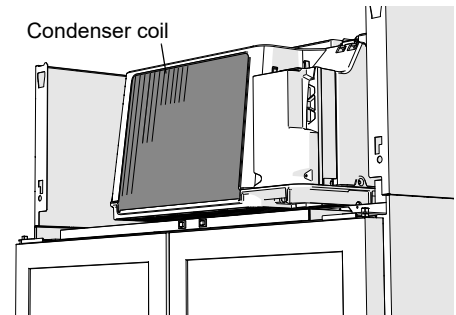
2. Use steps or a platform to access the back of the sign, and unscrew the two wire cover screws (located above the back of the electronic controller housing). **Note:** Image shows back of sign with cabinet side removed.



3. Swing the sign out from the cabinet and unplug the 3× electronic controller plugs, the one sign plug, and 4× terminals of LED switches. Lift the sign off and place aside.



4. Brush the condenser coil with a soft brush to remove any dust and fluff.



5. Refit the sign panel and wire cover, and reconnect the 3× plugs and 4× terminals. Reconnect to the power supply.

## Lighting

The cabinet and sign LED lights are all non-serviceable and must not be tampered with in any way. If a light is suspected of being faulty, arrange a service call.

## Troubleshooting

For questions about the electronic controller, see page 9. For problems with the cabinet and refrigeration unit, use the following table.

Problem	Possible Cause	Suggestions
<ul style="list-style-type: none"> <li>Cabinet not operating.</li> </ul>	<ul style="list-style-type: none"> <li>Loss of power supply.</li> <li>Controller alarm.</li> </ul>	<ul style="list-style-type: none"> <li>Check mains power supply.</li> <li>Refer to “Messages and Alarms” on page 9.</li> </ul>
<ul style="list-style-type: none"> <li>No controller display.</li> </ul>	<ul style="list-style-type: none"> <li>Loss of power supply.</li> </ul>	<ul style="list-style-type: none"> <li>Check mains power supply.</li> </ul>
<ul style="list-style-type: none"> <li>Lights not on.</li> </ul>	<ul style="list-style-type: none"> <li>Lights switched off.</li> <li>Failed light.</li> </ul>	<ul style="list-style-type: none"> <li>Switch light/s on (see page 7).</li> <li>Arrange a service call.</li> </ul>
<ul style="list-style-type: none"> <li>Power consumption is higher than expected.</li> </ul>	<ul style="list-style-type: none"> <li>Unit operating too hot.</li> <li>Cabinet doors are opened excessively.</li> </ul>	<ul style="list-style-type: none"> <li>Clean the condenser (see page 10).</li> <li>Ensure the cabinet is in a cool spot (see page 5).</li> <li>Ensure the cabinet has good ventilation around the refrigeration unit (see page 5).</li> <li>Ensure doors are closed more often.</li> </ul>
<ul style="list-style-type: none"> <li>Product is too warm.</li> </ul>	<ul style="list-style-type: none"> <li>Restricted airflow to cabinet.</li> </ul>	<ul style="list-style-type: none"> <li>Ensure product is not blocking airflow slots.</li> <li>Ensure there is space around individual product pieces.</li> </ul>
<ul style="list-style-type: none"> <li>Warm cabinet temperatures.</li> <li>Compressor operating for long periods (more than 1 hour).</li> </ul>	<ul style="list-style-type: none"> <li>Blocked condenser.</li> <li>Poor ventilation around refrigeration unit.</li> </ul>	<ul style="list-style-type: none"> <li>Clean the condenser (see page 10).</li> <li>Ensure the cabinet has good ventilation around the refrigeration unit (see page 5).</li> </ul>

# SKOPE Contacts

---

## **SKOPE Industries Limited**

A.B.N. 73 374 418 306

AU: 1800 121 535

NZ: 0800 947 5673

[skope@skope.com](mailto:skope@skope.com)

[www.skope.com](http://www.skope.com)