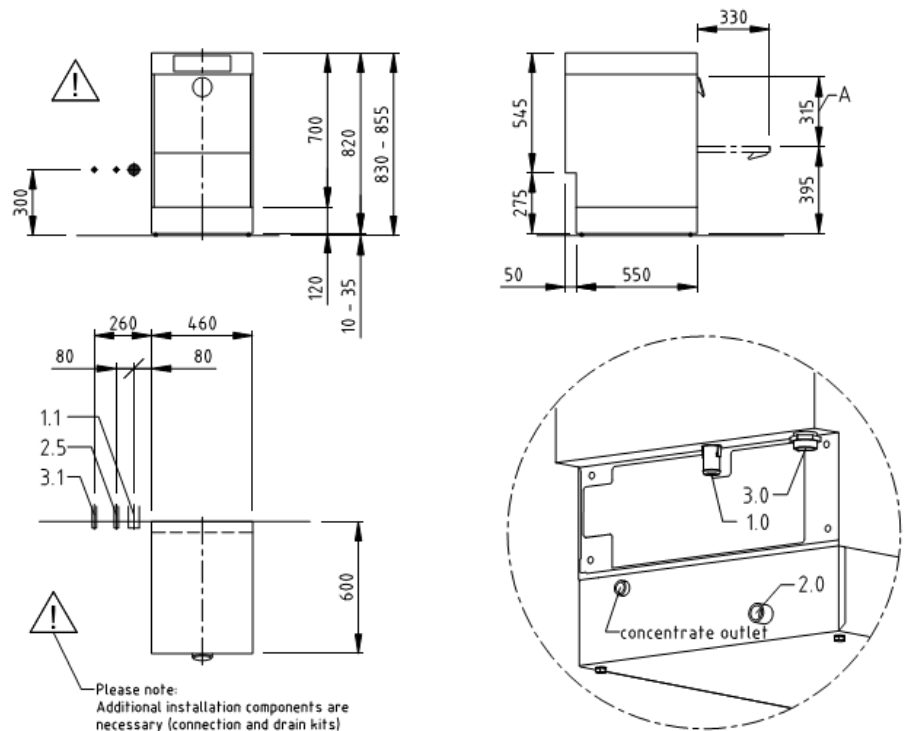


MiClean US GiO

Commercial Glasswasher
with plinth mounted GiO module



Product Features & Benefits

- High visual handle with LED illumination and colour-coded status
- Touch TFT colour display made from hygienic safety glass with program progress indicator and Bluetooth interface
- Intuitive operation-blue operating concept, components that need checking after self-clean cycle are blue in colour
- Interior lights up when door is opened
- M-Clean filter-active filter system for removal of food debris from wash tank (includes monitoring of correct positioning and function)
- Stainless steel detergent and rinse aid lines within the body of the machine
- Stainless steel single piece wash and rinse arms to ensure dirty wash water does not drip onto clean wares
- Pressure adjustable wash pump at a push of a button. Low pressure for washing the most delicate glassware, higher pressure for washing coffee cups, saucers etc.

TECHNICAL SPECIFICATIONS

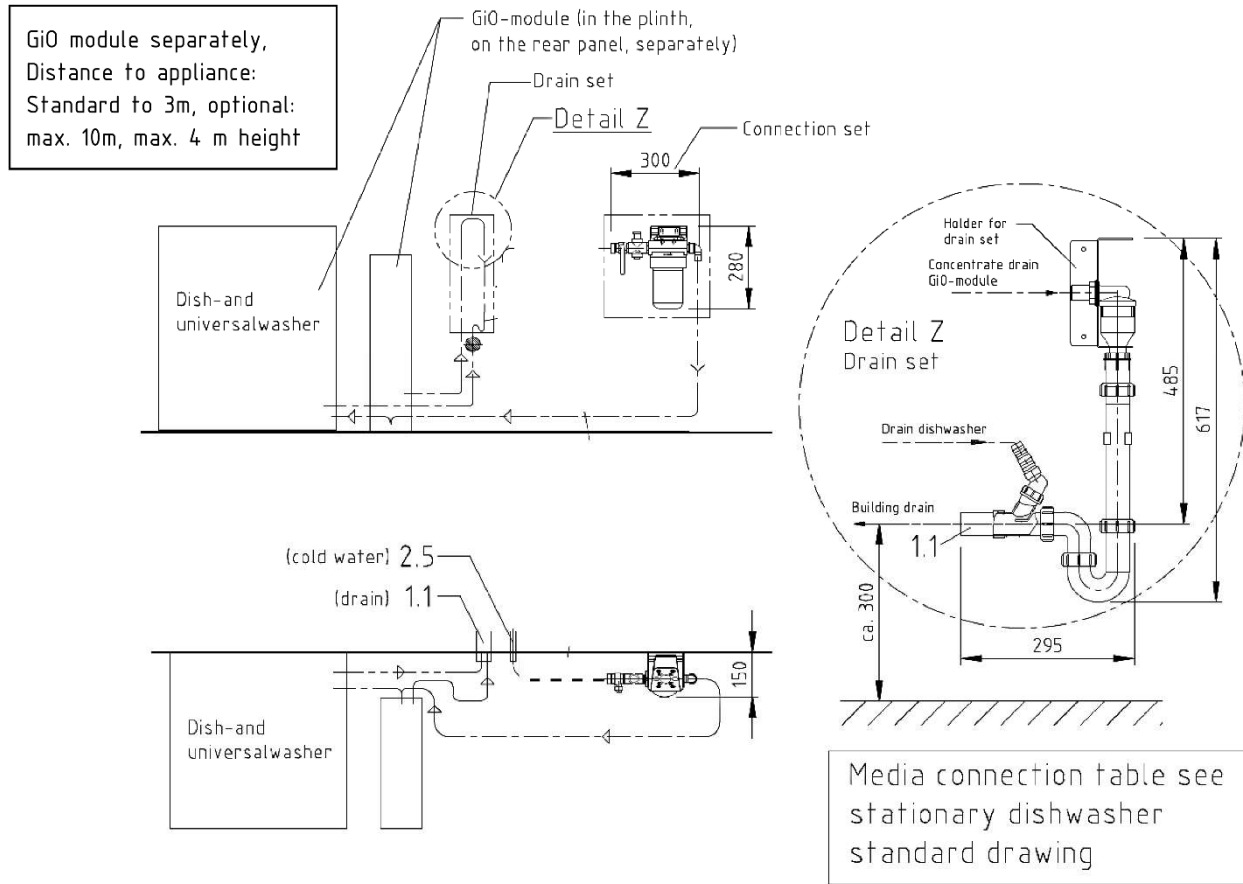
TECHNICAL SPECIFICATIONS			
Basket dimensions in mm		400 x 400	
#Programme cycle in seconds		90/120/180	
#Theoretical basket capacity		40/30/20	
Water consumption liters per cycle		2.4	
1.0	Machine connection drain pipe	Pump out drain	Hose ¾ "
1.1	Drain point	Max. 300mm from floor	50mm
2.0	Machine connection water point	Nominal value	Thread ¾ "
2.5	Water supply point	Flow pressure Temperature Water hardness	1 bar -5 bar Cold water Max 53.4ppm
3.0	Machine connection electrical	Total rating	5G x 2.5mm
#3.1	Electrical point	Single phase option	1NPE 230V 50Hz, 4.8Kw
#3.1	Electrical point	Three phase option	3NPE 400V 50Hz, 6.8Kw

Optional Features

- Stainless Steel Cupboard
- Air Concept heat recovery system

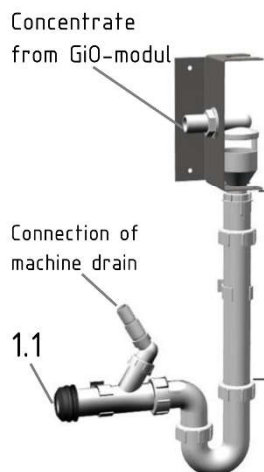
On single phase connection and/or short basket exchange times, the wash cycles may increase to achieve hygienic rinse temperatures
3NPE 400V connection ensures the quickest wash cycle
Cycle time can be customized to specific requirements on site

Installation instructions GiO-Module



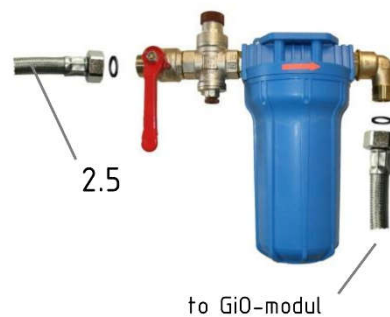
Drain set:

(hose 2 m, air gap for concentrate line, drain pipes with connection piece DN40/50)



Connection set:

(hose 1 m, stop valve, filter, pressure reducer, hose pipe to the dishwasher 2m)



Filter cartridge (activated carbon) replaced every 6 months!

* Not included in GiO-Module hardware list!