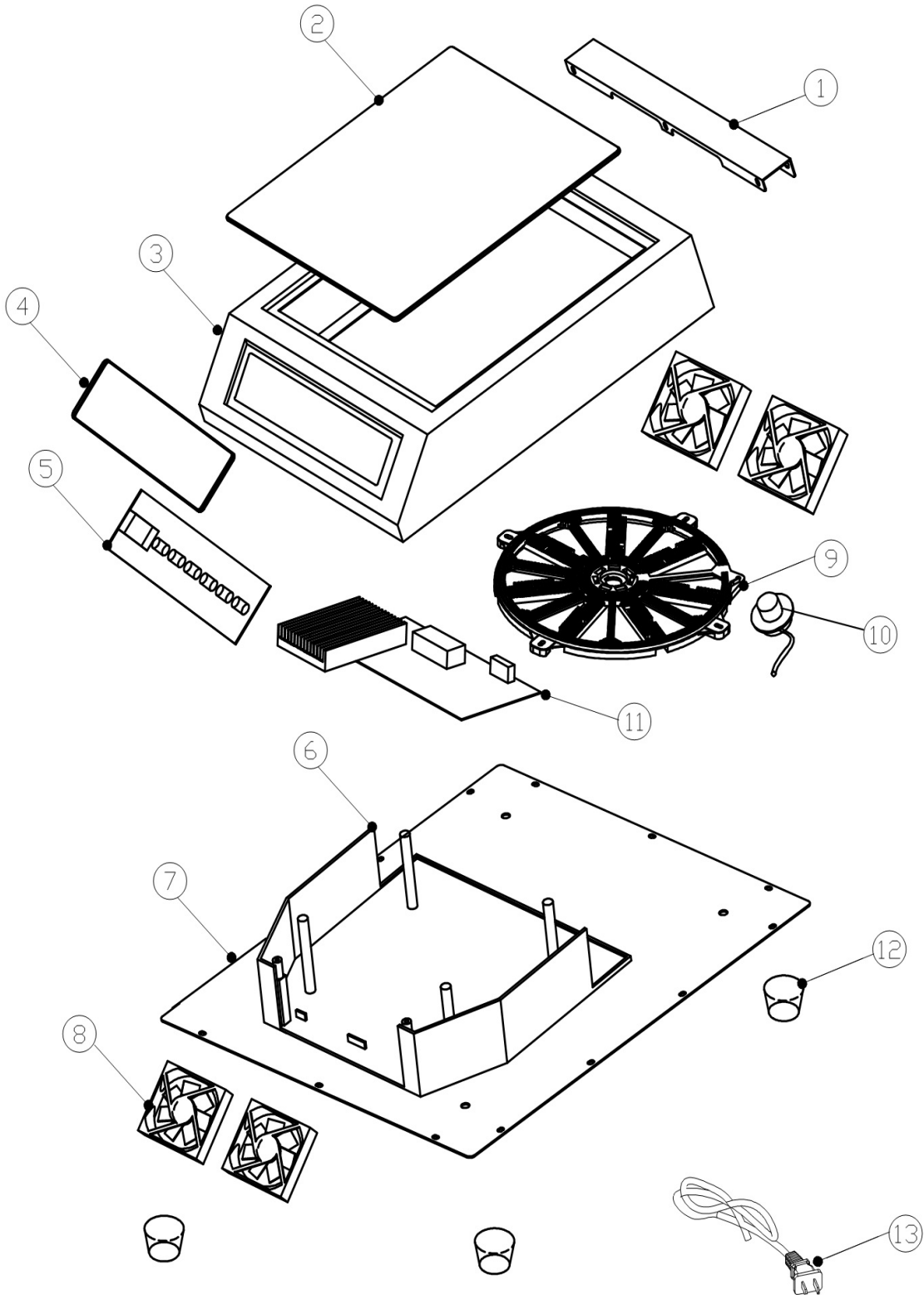


CE500-121 (ICL3500) Diagram Induction Cooker





CE500-121 (ICL3500) Spare Parts Prices List Induction Cooker

MESSER : INTERNATIONAL CATERING EQUIPMENT PTY LTD.

VALIDITY : 30 DAYS

DATE : 2023/06/08

DELIVERY TERM : EX-WORK

Prepared by: Anlson

Part No. of Diagram	KARMA NO.	Description	Quantity (PCS)	Unit Price (USD/1PC)
1	ZCE500-1211	Crashworthy board	1	2.31
2	ZCE500-1212	China Brand Glass	1	14.70
3	ZCE500-1213	S/S body	1	33.40
4	ZCE500-1214	Glassplate for control part	1	3.96
5	ZCE500-1215	Control PCB	1	4.62
6	ZCE500-1216	Inner plastic Housing	1	2.86
7	ZCE500-1217	Metal Bottom	1	9.20
8	ZCE500-1218	Fan	4	1.32
9	ZCE500-1219	Heating coil	1	15.50
10	ZCE500-12110	Sensor	1	0.83
11	ZCE500-12111	Mainboard	1	33.40
12	ZCE500-12112	Foot	4	0.55
13	ZCE500-12113A	Power Cord 250V/15A	1	6.60