

## I .Specification

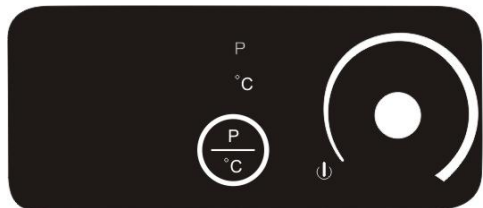
- 1). Item No.: ICK3501
- 2). Power Rate: 500W - 3500W
- 3). Voltage: 240V ~ / 50Hz
- 4). Temperature: 60°C-240°C


## II . Importance

**Please read carefully the following instructions before using the induction cooker.**

- 1). Do not plug with wet hands in order to avoid getting electric shock.
- 2). Do not plug into a socket where several other appliances are plugged in.
- 3). Do not use if the power cord is damaged or the plug does not fit the socket safely.
- 4). Do not open the cooker to replace spare parts by yourself.
- 5). Do not use the cooker closed to flame or wet places.
- 6). Do not use where children can easily touch the cooker, or allow children to use the cooker by themselves.
- 7). Do not place on unstable surfaces.
- 8). Do not move the cooker together with a pot.
- 9). Do not heat a pot empty or overheat to avoid dry boiling.
- 10). Do not place metallic objects such as knives, forks, spoons, lids, cans, and aluminum foils on the top plate.
- 11). Use the unit with sufficient space around it. Keep the front side and either right or left side of the unit clear.
- 12). Do not use the unit on carpet or tablecloth (vinyl) or any other low-heat-resistant article.
- 13). Do not place a sheet of paper between the pot or the pan and the unit. The paper may get burnt.
- 14). If the surface is cracked, switch off and take to the service center immediately.
- 15). Do not block air intake or exhaust vent.
- 16). Do not touch the top plate right after removing the pot or the pan, as the top plate will still be very hot.
- 17). Do not place the cooker close to the objects which are affected by magnet, such as: radios, televisions, automatic-banking cards or cassette tapes.
- 18). The power cord must be replaced by qualified technicians.
- 19). Stands for the surface is liable to get hot during use.

## III.How to Use

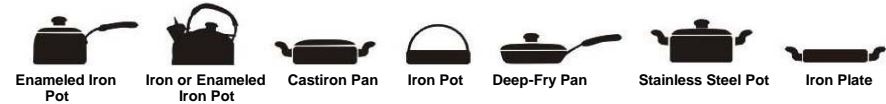


- 1). Please put suitable cookware onto the plate of induction cooker, and connect the plug to suitable socket.
- 2). When the engraved marker on the position “U”, means the induction cooker is power off, “P” means power, “C” means temperature, power and temperature can be adjusted by knob.
- 3). Pressing  button you can change the working state between temperature and power. The related light will shine. You can adjust the temperature from 60°C up to 240°C or power from 1 level to 10 level by turning the knob.
- 5). When turn the knob to “U” during the working state, the induction cooker will stop working immediately. After stopping working, the fan will cool down the induction cooker for one minute, and then will be off.
- 6). if there is no operation in two hours, the unit will be switch off automatically if Timer is not set above 120 minutes.
- 7). The temperature of accessible surfaces may be high when the appliance is operating

## IV .Usable and Non-usable Utensils

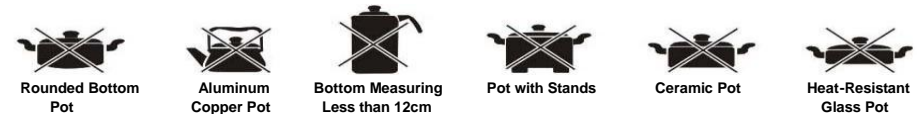
### 1). Usable Pans

Steel or cast iron, enameled iron, stainless steel, flat-bottom pans / pots with diameter from 12 to 26cm.



### 2). Non-usable Pans

Heat-resistant glass, ceramic container, copper, aluminum pans/pots. Rounded-bottom pans/pots with bottom measuring less than 12cm.



## V .How to Clean

- 1). Unplug and wait until the cooker is cooled down completely. Clean the cooker after using each time.
- 2). If the pots/pans are used without being cleaned, discoloration or cooked on stains may be caused.
- 3). Do not use benzine, thinner, scrubbing brush or polishing powder to clean the induction cooker.
- 4). Wipe using dish washing agent and damp cloth.
- 5). Use vacuum cleaner to suck up dirt from the air intake and exhaust vent.
- 6). Never run water over the unit (Water gets inside may cause malfunction).

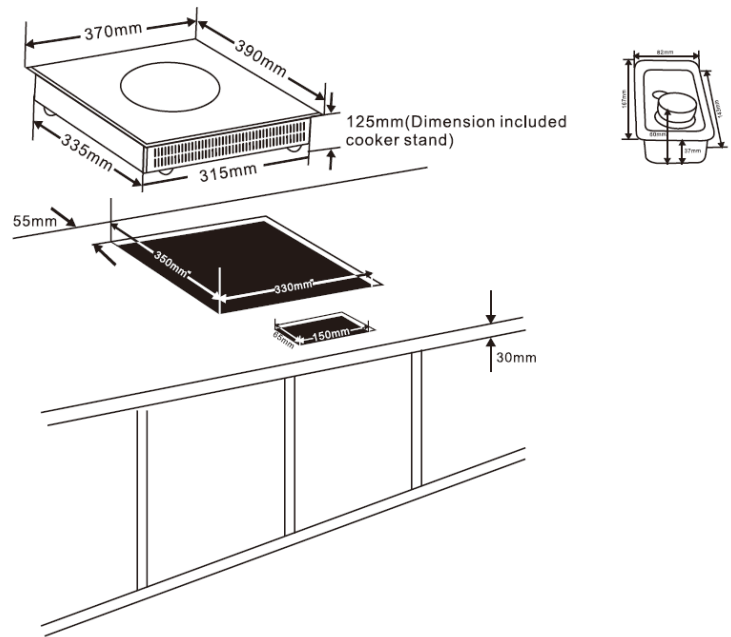


Figure (2)

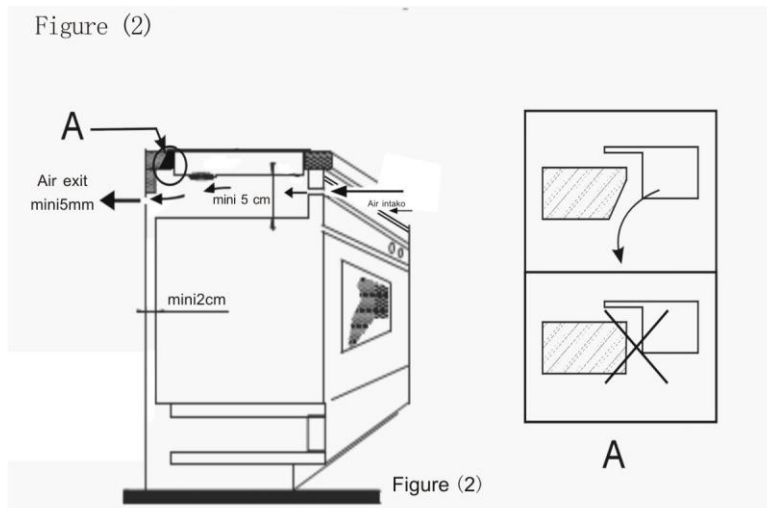


Figure (2)