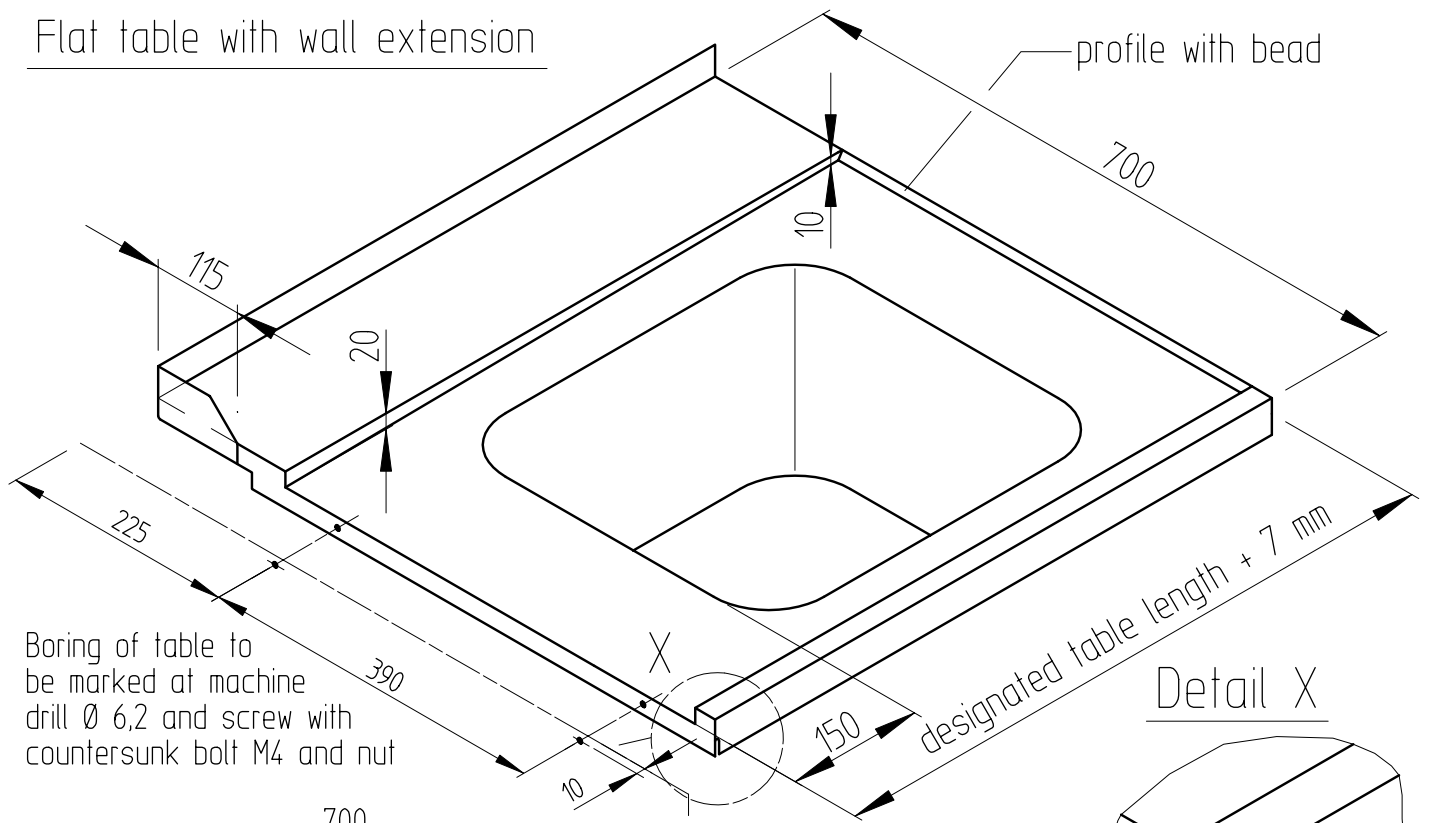
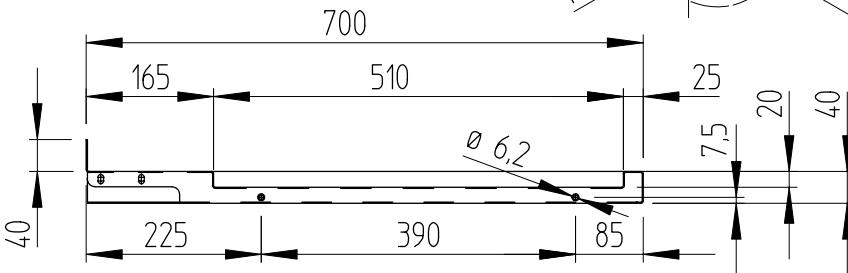


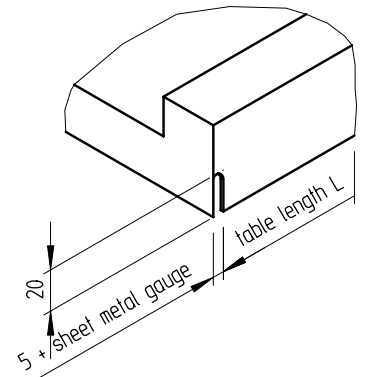
Flat table with wall extension



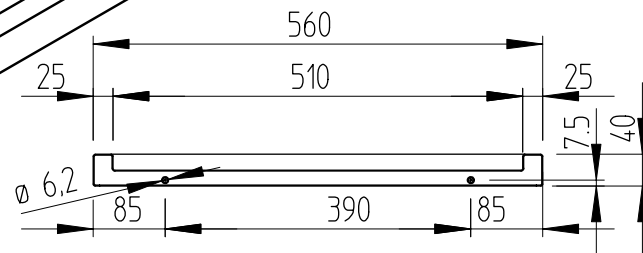
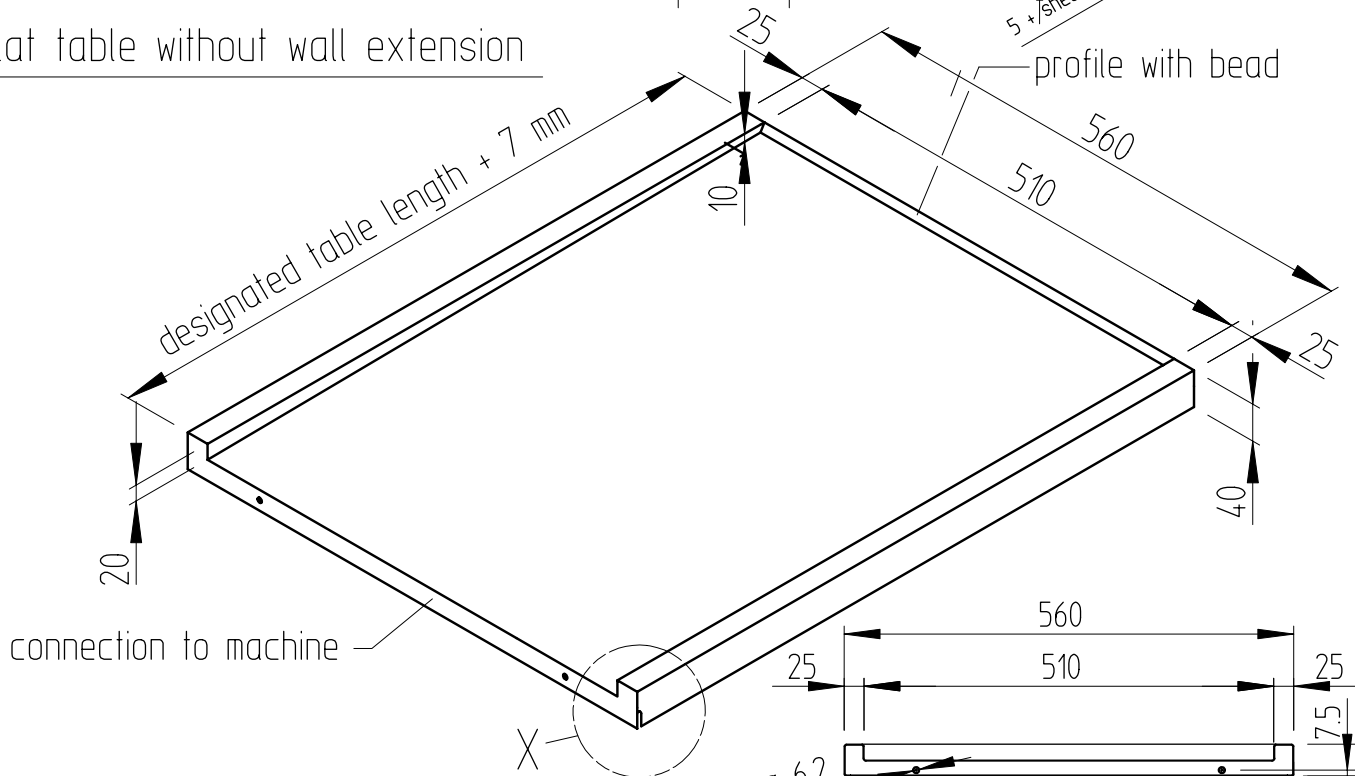
Boring of table to be marked at machine drill $\varnothing 6,2$ and screw with countersunk bolt M4 and nut



Detail X



Flat table without wall extension



Order-No.:

Type:

No.:

Ref.:

Flat table for ES545D, DV80.2/DV120.2, DV125.2, DV200.2/DV200.2PW
MDVTISCH-P05 293 4 B