

# Convotherm maxx easyTouch Combi Steamer

## **CMAXX6.10** ELECTRIC DIRECT STEAM 7 x 1/1 GN

- Direct steam system
- Cooking methods: steam, combi-steam, convection
- Cooking functions:
  - Crisp&Tasty – 3 moisture removal settings
  - BakePro – 3 levels of traditional baking
  - HumidityPro – 3 humidity settings
  - Controllable fan – 3 speed settings
- easyTouch 7" capacitive glass full touch screen control
- Fully automatic cleaning system with 2 cleaning programs (lightly soiled, heavy soiled), rinse and express mode
- WiFi and Ethernet interface (LAN)
- USB port built into control panel
- Steam generated by injecting water into the cooking chamber
- Right-hinged appliance door
- Triple glass appliance door
- LED lighting



### **Standard Features**

- Cooking methods:
  - Steam (30-130°C) with guaranteed steam saturation
  - Combi-steam (30-250°C) with automatic humidity adjustment
  - Convection (30-250°C) with optimised heat transfer
- HygenicCare: safety by antibacterial surfaces
  - Door handle
  - Retractable hand shower (optional accessory)
- easyTouch user interface:
  - 7" capacitive glass full touch screen
  - Integrated Press&Go (Manager mode and Crew Mode)
  - TrayTimer – oven load management for different products at the same time
  - 399 cooking profiles each containing up to 20 steps
  - Start-time preset
- Door handle with sure-shut function
- HACCP data storage
- Preheat and cool down function
- Emergency running program
- Multi-point core temperature probe

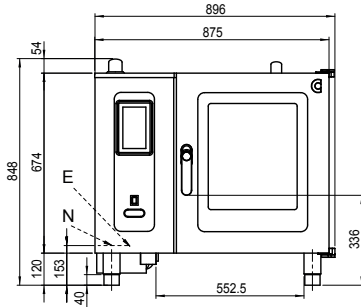
### **Accessories**

- Retractable hand shower
- Stainless steel stand
- Stacking kit
- Kitchenconnect® (WiFi/LAN), cloud-based and real time networking solution from Convotherm to update and monitor your appliances from anywhere
- ConvoVent 4 condensation hood with grease filter
- ConvoVent 4+ condensation hood with grease and odour filter
- Care products for the fully automatic cleaning system (multiple measure dispensing)

# Convotherm maxx easyTouch Combi Steamer

## CMAXX6.10 ELECTRIC DIRECT STEAM 7 x 1/1 GN

Front view



**DIMENSIONS**

Width	875 mm
Depth	797 mm
Height	794 mm
Weight	104 kg

**PACKED DIMENSIONS**

Width	1060 mm
Depth	960 mm
Height	1070 mm
Weight (including cleaning system)	136.5 kg

**Safety clearances\***

Rear	45 mm
Right	50 mm
Left (larger recommended for servicing)	50 mm
Top (for ventilation)	500 mm

\*Heat sources must lie at a minimum distance of 500 mm from the appliance.

**INSTALLATION REQUIREMENTS**

For precise installation instructions please refer to the units installation manual

**LOADING CAPACITY**

<b>Max. number of food containers</b>	
Shelf distance	68mm
GN 1/1 (with standard rack)	7
600 x 400 baking sheet (with appropriate rack)	5
<b>Max. loading weight GN 1/1 / 600 x 400</b>	
Per combi steamer	30 kg
Per shelf	15 kg

**ELECTRICAL SUPPLY**

<b>3N~ 400V 50/60Hz (3P+N+E)</b>	
Rated power consumption	9.6 - 11.3 kW
Rated current	14.6 - 15.7 A
Fuse	16 A
RCD (GFCI), frequency converter (singlephase)	Type A (recommended), type B (optional)

Special voltage options available on request.  
Connection to an energy optimisation system as standard.

**WATER CONNECTION**

<b>Water supply</b>	
2 x G 3/4" permanent connection, optionally including connecting pipe (min. DN13 / 1/2")	
Flow pressure	150 - 600 kPa (1.5 - 6 bar)
<b>Appliance drain</b>	
Drain version	Permanent connection (recommended) or funnel waste trap DN50 (min. internal Ø: 46 mm)
Type	
Slope for waste-water pipe	min. 3.5% (2")

**WATER QUALITY**

<b>Drinking water</b>	
(install water treatment system if necessary)	
Treated tap water for water injection	
Untreated tap water for cleaning, recoil hand shower	
<b>Total hardness</b>	
Injection (soft water)	4-7°dh / 70 - 125 ppm / 7 - 13°TH / 5 - 9°e
Cleaning, recoil shower	4-20°dh / 70 - 360 ppm / 7 - 35°TH / 5 - 25°e

**Other properties**

pH	6.5 - 8.5
Cl <sup>-</sup> (chloride)	max. 60 mg/l
Cl <sub>2</sub> (free chlorine)	max. 0.2 mg/l
SO <sub>4</sub> <sup>2-</sup> (sulphate)	max. 150 mg/l
Fe (iron)	max. 0.1 mg/l
NH <sub>2</sub> Cl (monochloramine)	max. 0.2 mg/l
Temperature	max. 40°C
Electrical conductivity	min. 20 µS/cm

**EMISSIONS**

<b>Heat output</b>	
Latent heat	2100 kJ/h / 0.58 kW
Sensible heat	2500 kJ/h / 0.69 kW
<b>Waste water temperature</b>	max. 80 °C
<b>Noise during operation</b>	max. 70 dBA

**STACKING KIT**

Permitted combinations	6.10 on 6.10 / 6.10 on 10.10
------------------------	------------------------------



moffat.com.au  
moffat.co.nz

Australia  
moffat.com.au

Moffat Pty Limited

Victoria/Tasmania  
740 Springvale Road  
Mulgrave, Victoria 3170  
Telephone +61 3-9518 3888  
Facsimile +61 3-9518 3833  
vsales@moffat.com.au

New South Wales  
Telephone +61 2-8833 4111  
nswsales@moffat.com.au

South Australia  
Telephone +61 3-9518 3888  
vsales@moffat.com.au

Queensland / Northern Territory  
Telephone +61 7-3630 8600  
qldsales@moffat.com.au

Western Australia  
Telephone +61 8-9413 2400  
wasales@moffat.com.au

New Zealand  
moffat.co.nz

Moffat Limited

Rolleston  
45 Illinois Drive  
Izone Business Hub  
Rolleston 7675  
Telephone +64 3-983 6600  
Facsimile +64 3-983 6660  
sales@moffat.co.nz

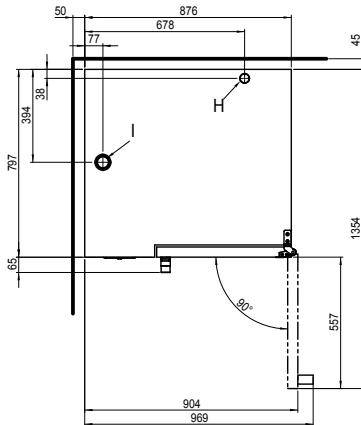
Auckland  
Telephone +64 9-574 3150  
sales@moffat.co.nz

In line with policy to continually develop and improve its products, Moffat Limited reserves the right to change specifications and design without notice.

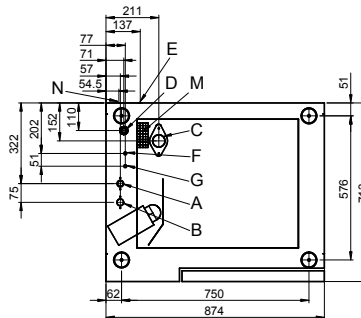
© Copyright Moffat Ltd  
AN.CON.S.01.23



View from above with wall clearances



Connection points



- A Water connection (for water injection)
- B Water connection (for cleaning, recoil hand shower)
- C Drain connection DN 50 (Ø 50 mm)
- D Electrical connection
- E Equipotential bonding
- F Rinse-aid connection
- G Cleaning-agent connection
- H Air vent Ø 40 mm
- I Ventilation port Ø 50 mm
- M Safety overflow 98 mm x 43 mm
- N Ethernet connection RJ45