



K+ SERIES: UFWWSPK-1

Single Hole Waterless Stock Pot Cooker

Project: _____ Item: _____



UFWWSPK-1

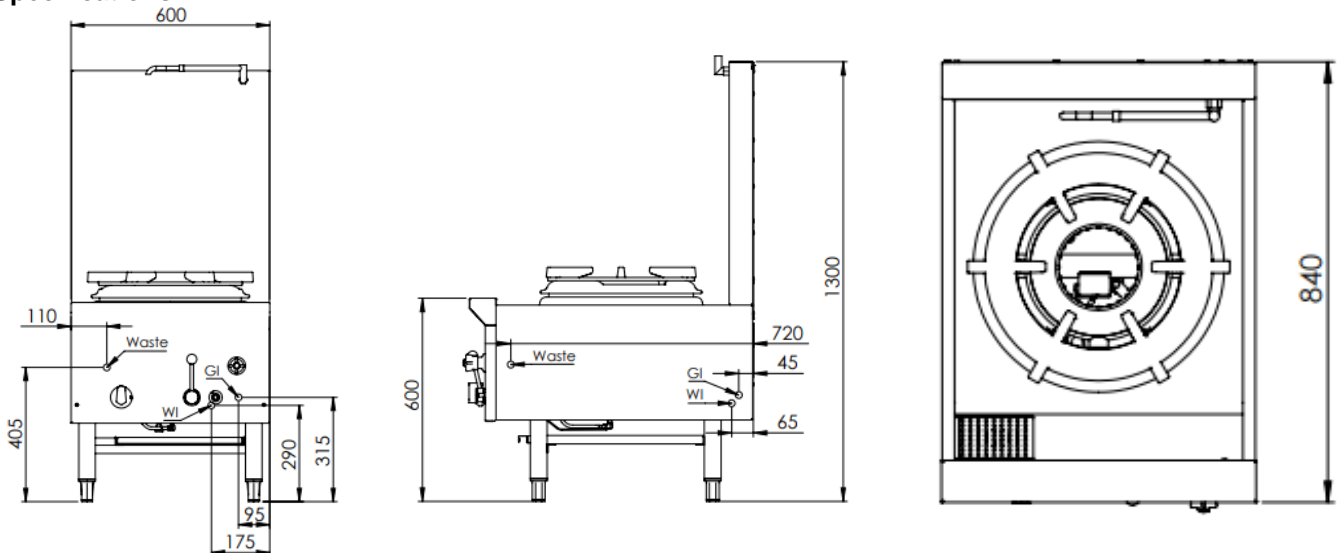
Standard Features:

- AISI Grade Stainless Steel
- Heavy duty complete stainless steel frame
- Long skirt cast iron unflued ring - 340mm Diameter
- Heavy duty removable cast iron trivet
- Waterless feature eliminates the need for deck cooling
- One-piece machine pressed top deck - 1.5mm Thick
- Manually operated laundry arm and spindle
- Heavy duty stainless steel lever action gas control
- Flame Failure & Pilot - Included as standard
- Front waste gutter allows for greater ease in cleaning
- Waste shovel included
- Front access to all components makes service easy

Options:

- Natural or LPG Gas
- 24 Jet Mongolian Chimney Burner (CB)
- 18 Jet Duckbill Burner (DB)
- 170L Stock Pot with release valve

Specifications:



| MODEL | LENGTH (mm) | DEPTH (mm) | HEIGHT (mm) | NET WEIGHT (kg) | GAS CONSUMPTION (MJ/h) | | | |
|-----------|-------------|------------|-------------|-----------------|------------------------|---------|----------|----------|
| | | | | | NG - CB | NG - DB | LPG - CB | LPG - DB |
| UFWWSPK-1 | 600 | 840 | 1300 | - | 105 | 126 | 75 | 90 |

Connections:

| GAS (GI) (BSP) | WATER (WI) | WASTE (BSP) | SUPPLY PRESSURE (kPa) | |
|----------------|---------------|-------------|-----------------------|-----|
| | | | NG | LPG |
| 3/4" (M) | 1/2" (Copper) | 2" (M) | 1.0 | 2.6 |

- Gas regulator is included within the unit
- **Must** be installed by an authorised installer in accordance to **AS/NZS5601** refer to current version

Due to ongoing Product Development, Product Improvement and Research, B+S Commercial Kitchens reserves the right to alter specification without notice.

Approval Number: GMK 10701



B+S Commercial Kitchens
57 Plateau Road Reservoir VIC 3073 Australia | +61 3 9469 4754
info@bscommercialkitchens.com | www.bscommercialkitchens.com

